

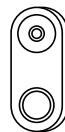
Quick Start Guide

Apply to: Reolink Video Doorbell WiFi / PoE

Content

What's in the Box	2
Doorbell Introduction	3
Set up the Doorbell	5
Set up the Chime	8
Install the Doorbell	10
Remove the Mounting Plate	16
Specification	17
Notification of Compliance	17

What's in the Box



Doorbell



Chime



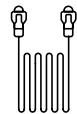
Corner Wedge



Mounting Plate



Mounting
Hole Template



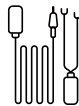
1m
Ethernet Cable



Extension Cable



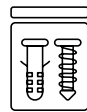
Jumper Cable



Power Adapter*



Power Extension
Cable*



Pack of Screws

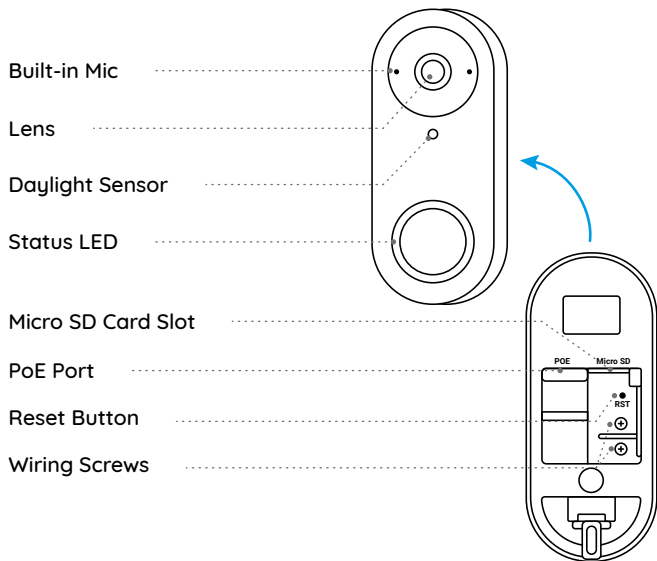


Quick Start Guide

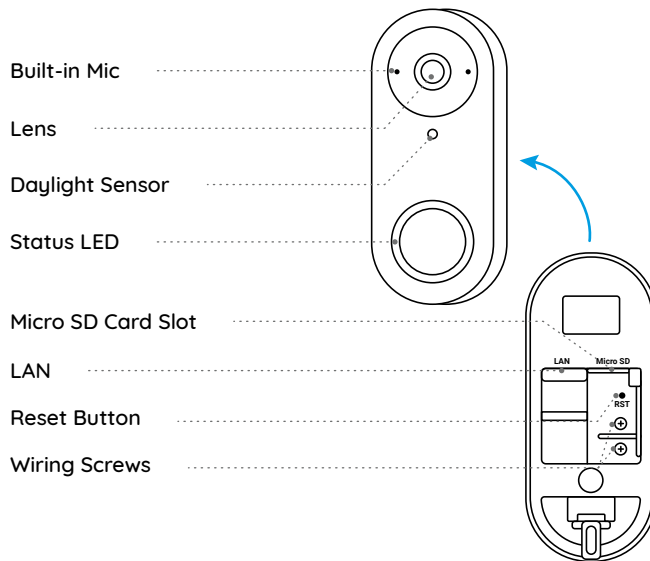
NOTE: The Reolink Video Doorbell PoE doesn't come with a power adapter and power extension cable.

Doorbell Introduction

Video Doorbell PoE



Video Doorbell WiFi



Set up the Doorbell

Set up the Doorbell on Phone

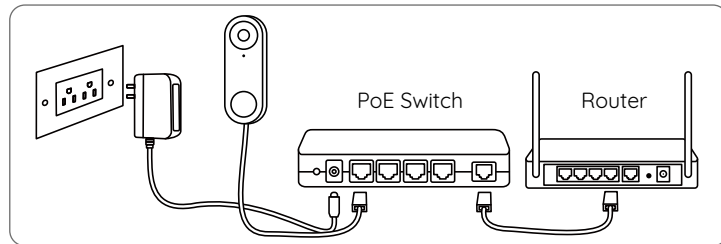
Step 1 Scan to download the Reolink App from the App Store or Google Play Store.



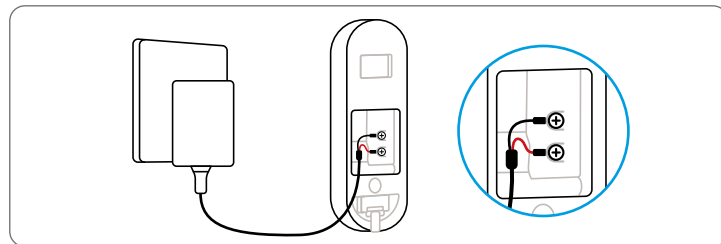
NOTE: If the Reolink App is already existed, please check if it is the newest; if no, please update it.

Step 2 Power on the video doorbell.

PoE Version: Connect the doorbell to a PoE Switch/Injector or Reolink PoE NVR to power it on. (The PoE Switch/Injector and Reolink PoE NVR are not included in the package)

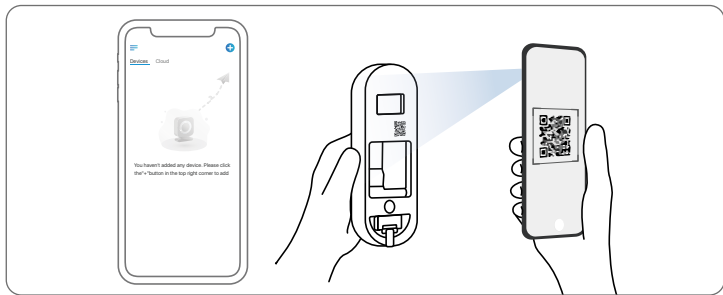


WiFi Version: Connect the power cable to the screws on the back of doorbell, then power it on with the power adapter.



NOTE: Make sure the Y-shape plugs are separate from each other.

Step 3 Launch the Reolink App. Click the “+” button in the top right corner and scan the QR code on the doorbell to add it.



Step 4 Follow the onscreen instructions to finish the initial setup.

Set up the Doorbell on PC (Optional)

Step 1 Download and install the Reolink Client. Go to <https://reolink.com> > Support > App & Client

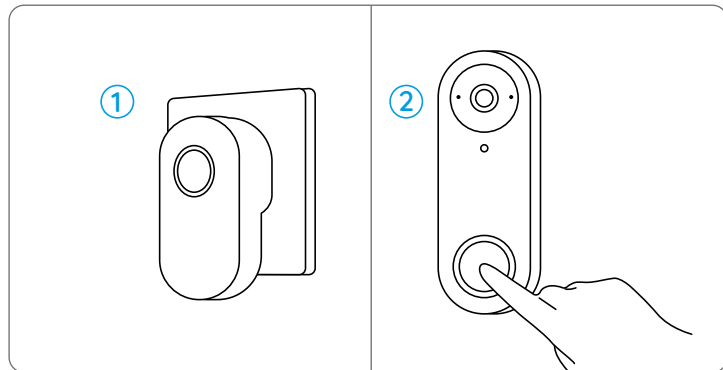
Step 2 Power on the video doorbell.

Step 3 Launch the Reolink Client. Click the “+” button and input the UID number of the doorbell to add it.

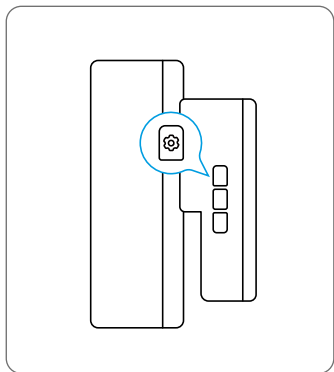
Step 4 Follow the onscreen instructions to finish the initial setup.

Set up the Chime

Step 1 Plug in the Chime and press the button on your doorbell.
Step 2 Follow the onscreen instructions to finish the initial setup.



NOTE: The chime is synchronized with the doorbell by default. If you want to use two or more chimes for one doorbell, the chimes need to be synchronized manually.



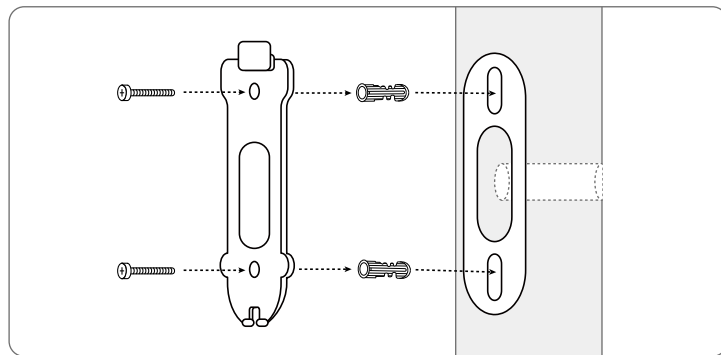
1. Power off the chime.
2. Power on the chime with the setting button pressed to turn on the pairing mode. Keep pressing the button for 5 seconds until the chime status LED is on.
3. Press the doorbell button once. The chime will be successfully paired if its status LED flashes twice and it beeps twice.

Install the Doorbell

Reolink Video Doorbell PoE

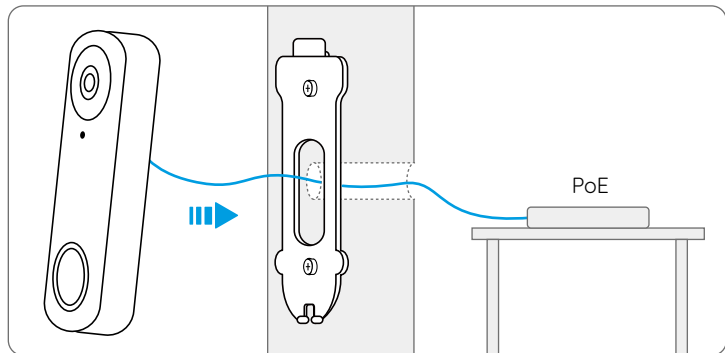
Step 1 Put the mounting hole template on the wall by the door and drill holes as shown.

Step 2 Install the mounting plate using the long screws provided through the two holes.



Step 3 Run the Ethernet cable through the mounting plate and the hole on the wall to connect it to the doorbell, then attach the doorbell to the plate.

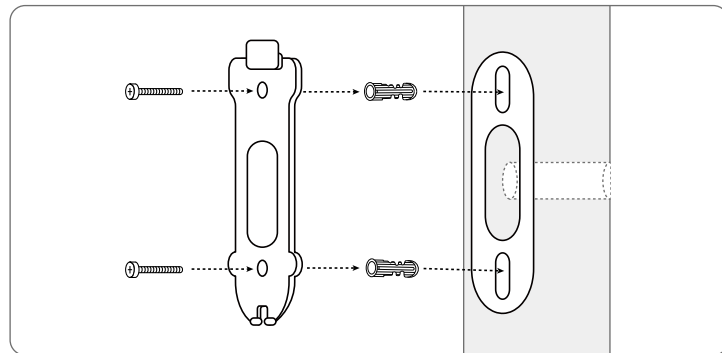
Step 4 The doorbell is powered by connecting the other end of the Ethernet cable to a PoE device.



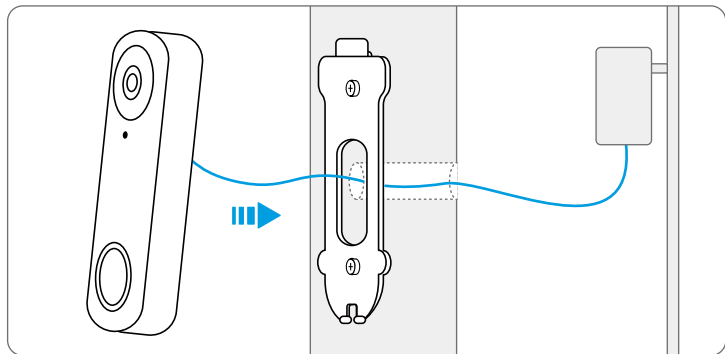
Reolink Video Doorbell WiFi

Step 1 Put the mounting hole template on the wall by the door and drill holes as shown.

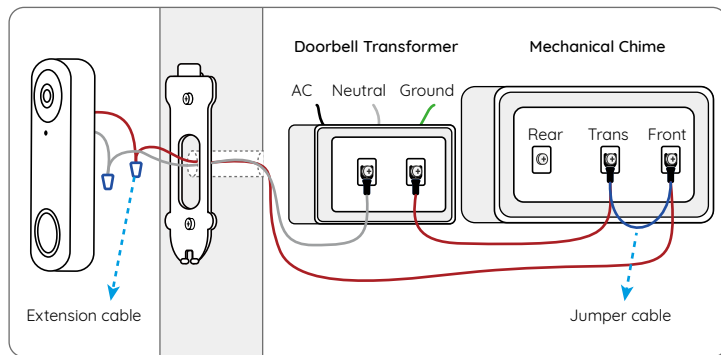
Step 2 Install the mounting plate using the long screws provided through the two holes.



Step 3 Run the power adapter through the mounting plate and the hole on the wall to connect it to the doorbell, then attach the doorbell to the plate.
Step 4 Plug the power adapter into a socket near the door. Use the long power extension cable if the socket is too far away from your doorbell.



NOTE: Reolink Video Doorbell PoE&WiFi can also be powered by the existing doorbell wiring system. In such case, you are required to first bypass the existing mechanical chime with the jumper cable to get sufficient power. Without sufficient power, the doorbell may restart and has an unstable connection, and the mechanical chime may vibrate and generate noise. Use the extension cable to extend the length of the existing power cable for the doorbell, as shown below. After the installation, the existing mechanical chime will not ring anymore.



If you need to adjust the angle of the doorbell, you can use the wedge provided. (The Reolink Video Doorbell PoE is taken as an example)

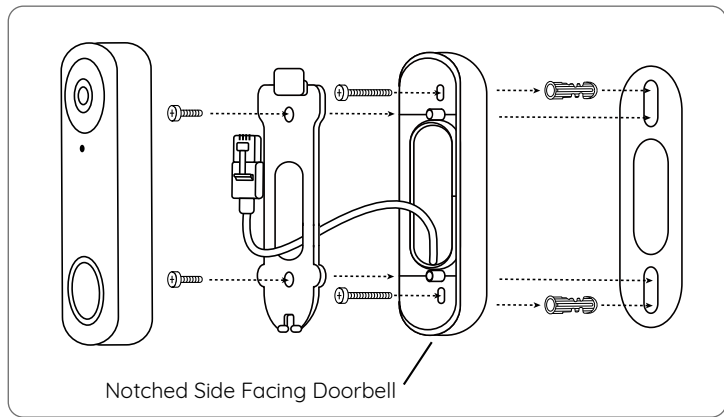
Step 1 Put the mounting hole template on the wall and drill holes as shown.

Step 2 Install the wedge using the screws provided through the two holes.

Ensure that the notched side of the wedge is facing outside.

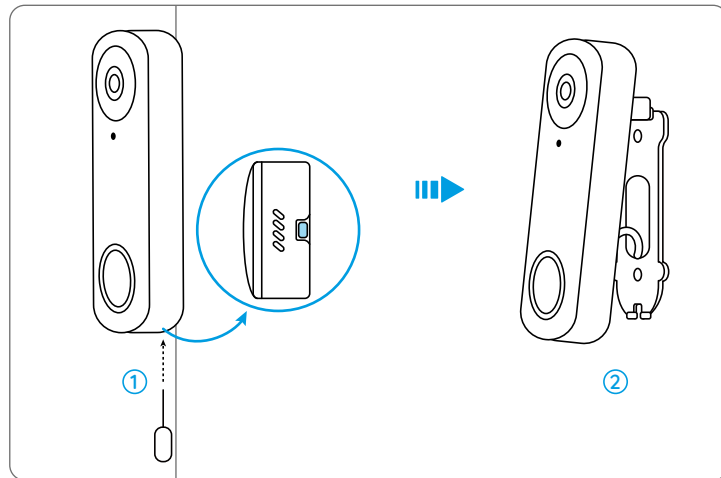
Step 3 Screw the mounting plate to the wedge.

Step 4 Run the Ethernet cable through the wedge and mounting plate, and attach the doorbell to the plate.



Remove the Doorbell

If you want to remove the Doorbell from the mounting plate, you may use the reset needle to poke the bottom.



Specification

Hardware Features

Field of View: 133.6° Horizontal, 97.3° Vertical, 180.4° Diagonal

Dimension: 133 x 48 x 23mm

Weight: 96g

Notification of Compliance

FCC Compliance Statement

This device complies with Part 15 of the FCC Rules. Operation is subject to the following two conditions:

this device may not cause harmful interference, and this device must accept any interference received, including interference that may cause undesired operation.

NOTE: This equipment has been tested and found to comply with the limits for a Class B digital device, pursuant to part 15 of the FCC Rules. These limits are designed to provide reasonable protection against harmful interference in a residential installation. This equipment generates uses and can radiate radio frequency energy and, if not installed and used in accordance with the instructions, may cause

harmful interference to radio communications. However, there is no guarantee that interference will not occur in a particular installation. If this equipment does cause harmful interference to radio or television reception, which can be determined by turning the equipment off and on, the user is encouraged to try to correct the interference by one or more of the following measures:

- Reorient or relocate the receiving antenna.
- Increase the separation between the equipment and receiver.
- Connect the equipment into an outlet on a circuit different from that to which the receiver is connected.
- Consult the dealer or an experienced radio/TV technician for help.

Changes or modifications not expressly approved by the party responsible for compliance could void the user's authority to operate the equipment.

FCC RF Exposure Warning Statements

This equipment complies with FCC radiation exposure limits set forth for an uncontrolled environment. This equipment shall be installed and operated with minimum distance 20cm between the radiator & body.

Simplified EU Declaration of Conformity

Reolink declares that the WiFi camera is in compliance with the essential requirements and other relevant provisions of Directive 2014/53/EU, the

PoE camera is in compliance with Directive 2014/30/EU.



Correct Disposal of This Product

This marking indicates that this product should not be disposed with other household wastes throughout the EU. To prevent possible harm to the environment or human health from uncontrolled waste disposal, recycle it responsibly to promote the sustainable reuse of material resources. To return your used device, please use the return and collection systems or contact the retailer where the product was purchased. They can take this product for environmentally safe recycling.

Limited Warranty

This product comes with a 2-year limited warranty that is valid only if purchased from Reolink Official Store or a Reolink authorized reseller. Learn more: <https://reolink.com/warranty-and-return/>.

NOTE: We hope that you enjoy the new purchase. But if you are not satisfied with the product and plan to return, we strongly suggest that you reset the camera to factory default settings before returning.

Terms and Privacy

Use of the product is subject to your agreement to the Terms of Service and Privacy Policy at reolink.com. Keep out of reach of children.

End User License Agreement

By using the Product Software that is embedded on the Reolink product, you agree to the terms of this End User License Agreement (“EULA”) between you and Reolink. Learn more: <https://reolink.com/eula/>.

ISED Statements

This device contains licence-exempt transmitter(s)/receiver(s) that comply with Innovation, Science and Economic Development Canada’s licence-exempt RSS(s). Operation is subject to the following two conditions:

- (1) This device may not cause interference.
- (2) This device must accept any interference, including interference that may cause undesired operation of the device.

L’émetteur/récepteur exempt de licence contenu dans le présent appareil est conforme aux CNR d’Innovation, Sciences et Développement économique Canada applicables aux appareils radio exempts de licence. L’exploitation est autorisée aux deux conditions suivantes:

- (1) L’appareil ne doit pas produire de brouillage;
- (2) L’appareil doit accepter tout brouillage radioélectrique subi, même si le brouillage est susceptible d’en compromettre le fonctionnement.

Radio Frequency Exposure Statement for IC

The device has been evaluated to meet general RF exposure requirements. The device can be used in mobile exposure conditions. The min separation distance is 20cm.

Déclaration d'exposition aux radiofréquences pour IC

L'appareil a été évalué pour répondre aux exigences générales en matière d'exposition aux RF. L'appareil peut être utilisé dans des conditions d'exposition mobiles.

La distance de séparation minimale est de 20cm.

OPERATING FREQUENCY (For WiFi Version) (the maximum transmitted power)

2412MHz --- 2472MHz (19dBm)

5150MHz --- 5350MHz (18dBm)

5470MHz --- 5725MHz (18dBm)

Technical Support

If you need any technical help, please visit our official support site and contact our support team before returning the products:

<https://support.reolink.com>.