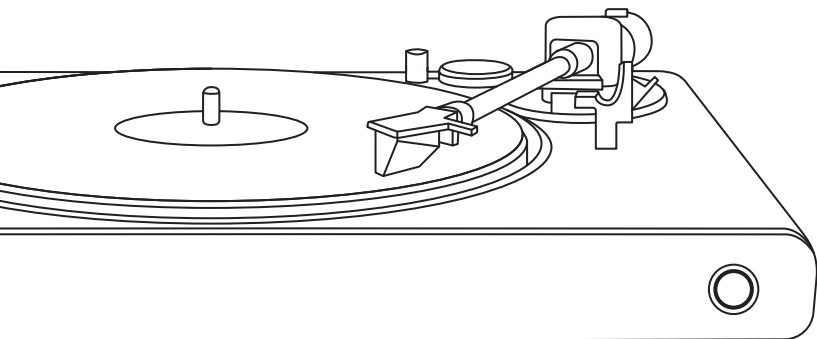


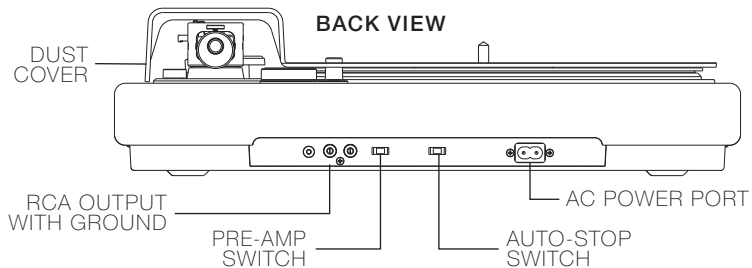
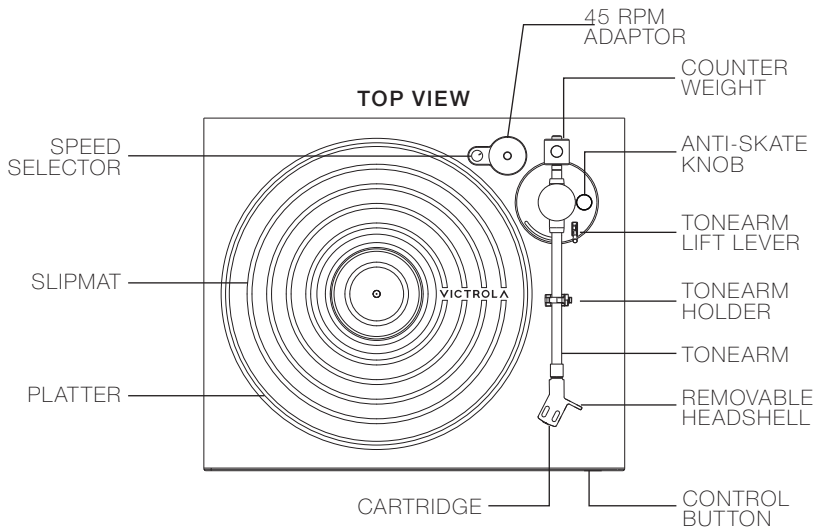
VICTROLA



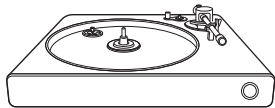
HI-RES

INSTRUCTION MANUAL
VPT-1500 (ONYX) | VPT-2500 (CARBON)

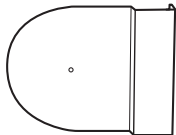
OVERVIEW



IN THE BOX



TURNTABLE



DUST COVER



**POWER CORD
(4X)**



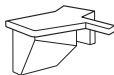
RCA CABLE



**45 RPM
ADAPTOR**



**COUNTER
WEIGHT**




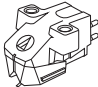

**REMOVABLE
HEADSHELL**



PLATTER



**SILICONE
SLIPMAT**

CARTRIDGE		RECOMMENDED DOWNFORCE	MODEL NUMBER	COUNTERWEIGHT ALIGNMENT
	ORTOFON 2M SERIES	1.6-2.0g	VPT-1500	REQUIRES DOWN- FORCE SCALE
			VPT-2500 (DEFAULT)	BACK LINE
	AUDIO TECHNICA AT-VM95E SERIES	1.8-2.2g	VPT-1500 (DEFAULT)	BACK LINE
			VPT-2500	FRONT LINE
	ORTOFON OM SERIES	1.5-2.0g	VPT-1500	FRONT LINE
			VPT-2500	REQUIRES DOWN- FORCE SCALE

SPECIFICATIONS

GENERAL

POWER INPUT:	AC 100-240V ~ 50HZ/60HZ
BLUETOOTH VERSION / PROFILE / FREQUENCY:	Bluetooth V5.4 / A2DP, AVRCP 2.402GHZ-2.480GHZ
SUPPORTED BLUETOOTH CODECS:	Qualcomm® aptX™ Adaptive, aptX™ HD, aptX™, SBC
OUTPUTS:	RCA (Built-in pre-amp) 200-280 MV (5 CM/SEC AT 1 KHZ-10DB) PHONO 2.5MV±3DB (5 CM/SEC AT 1 KHZ-10DB)
DIMENSIONS:	W 16.93" x L 14.25" x H 4.53" W 430mm x L 362mm x H 115mm
WEIGHT:	VPT-1500: 5.66 kgs / 12.48 lbs (w/ cover) VPT-2500: 6.15 kgs / 13.56 lbs (w/ cover)
ACCESSORIES INCLUDED:	Dust Cover, 45 RPM Adapter, 6' RCA cable with ground

TURNTABLE

DRIVE METHOD:	Belt-drive
PLATTER:	Die-cast aluminum
CARTRIDGE:	Audio Technica VM95E (VPT-1500) Ortofon 2M Red (VPT-2500)
MOTOR:	DC Servo-Controlled
SPEEDS:	33-1/3 RPM & 45 RPM
PHONO PRE-AMP GAIN:	35 dB Nominal, RIAA Equalized
SIGNAL-TO-NOISE:	>45 dB
WOW & FLUTTER:	<0.175
TO NEARM LENGTH:	225mm
OVERHANG:	18.50mm
TRACKING ERROR ANGLE:	<2 Degrees

AUTO-STOP SWITCH

ON: Platter will begin spinning when tonearm hovers over the edge of the record and stop spinning at the end of the record to prevent stylus wear.

OFF: Platter will spin when speed control is set to 33 or 45, regardless of tonearm position.

PRE-AMP SWITCH

LINE: Set the switch to line if connecting to line level input on speakers or amplifier.

PHONO: Set the switch to phono if using external pre-amp or amplifier with phono input.

ADDITIONAL NOTES

- Unit automatically powers off if no playback for 15 minutes.
- Wired RCA output is disabled when mode is set to Bluetooth Out.
- Unit automatically starts Bluetooth pairing when entering Bluetooth Out mode.
- To reset the unit, press and hold the function button (5 seconds).
This will remove and forget all previously paired Bluetooth devices.

USER GUIDE

For user guide and more product information, please visit www.victrola.com/hi-res

WARNINGS


Important Safety Instruction

1. Read these instructions – All the safety and operating instructions should be read before this product is operated.
2. Keep these instructions – The safety and operating instructions should be retained for future reference.
3. Heed all warnings – All warnings on the appliance and in the operating instructions should be adhered to.
4. Follow all instructions – All operating and use instructions should be followed.
5. Do not use this apparatus near water – The appliance should not be used near water or moisture – for example, in a wet basement or near a swimming pool, and the like.
6. Clean only with dry cloth.
7. Do not block any ventilation openings. Install in accordance with the manufacture's instructions.
8. Do not install near any heat sources such as radiators, heat registers, stoves, or other apparatus (including amplifiers) that produce heat.
9. Protect the power cord from being walked on or pinched particularly at the plugs, convenience receptacles, and at the point where they exit from the apparatus.
10. Only use attachments/accessories specified by the manufacturer.
11. Use only with the cart, stand, tripod, bracket, or table specified by the manufacturer, or sold with the apparatus. When a cart is used, use caution when moving the cart/apparatus combination to avoid injury from tip-over.
12. Unplug the apparatus during lightning storms or when unused for long periods of time.
13. Refer all servicing to qualified personnel. Servicing is required when the apparatus has been damaged in any way, such as power supply cord or plug is damaged, liquid has been spilled or objects have fallen into the apparatus has been exposed to rain or moisture, does not operate normally, or has been dropped.



CAUTION/ATTENTION:
RISK OF ELECTRIC SHOCK. DO NOT
OPEN. / ATTENTION RISQUE DE
CHOC ÉLECTRIQUE. NE PAS OUVRIIR



14. This lightning flash with arrowhead symbol within an equilateral triangle is intended to alert the user to the presence of non-insulated "dangerous voltage" within the product's enclosure that may be of sufficient magnitude to constitute a risk of electric shock.
 - a. Warning: To reduce the risk of electric shock, do not remove cover (or back) as there are no user-serviceable parts inside. Refer servicing to qualified personnel.
 - b. The exclamation point within an equilateral triangle is intended to alert the user to the presence of important operating and maintenance instructions in the literature accompanying the appliance.
15.  This equipment is a Class II or double insulated electrical appliance. It has been designed in such a way that it does not require a safety connection to electrical earth.
16. The mains plug is used as disconnect device, the disconnect device shall remain readily operable.
17. **WARNING:** To reduce the risk of fire or electric shock, do not expose this apparatus to rain or moisture. The apparatus shall not be exposed to dripping or splashing and that no objects filled with liquids, such as vases, shall not be placed on apparatus.
18. The use of the equipment in moderate climate.

19. **WARNING:** Please refer the information on exterior bottom/back enclosure for electrical and safety information before installing or operating the apparatus.
20. The ventilation should not be impeded by covering the ventilation openings with items such as newspaper, table-cloths, curtains etc.
21. No naked flame sources, such as lighted candles, should be placed on the apparatus.
22. Do not install this equipment in a confined space such as a book case or similar unit.
23. The symbol with \sim indicates AC voltage.
24. **CAUTION,** These servicing instructions are for use by qualified service personnel only. To reduce the risk of electric shock do not perform any servicing other than that contained in the operating instructions unless you are qualified to do so.

SAFETY INFO

Safety Information

1. In order to shut off power to this product completely, unplug the power cord from the wall outlet. Be sure to unplug the unit if you do not intend to use it for an extended period of time, such as during a vacation.
2. Use of controls, adjustments and performance of procedures other than those specified herein may result in hazardous radiation exposure.
3. To prevent electric shock, match wide blade of plug to wide slot, fully insert.
4. If this product is experience problems during operation, contact qualified service centers, and do not use the product in defective states.

Before Use

1. Choose unit installation location carefully. Avoid placing it in direct sunlight or close to a source of heat. Also avoid locations subject to vibrations and excessive dust, cold or moisture. Keep away from sources that hum, such as transformers or motors.
2. Do not open the cabinet as this may result in damage to the circuitry or electrical shock. If a foreign object should get into the set, contact Customer Service.
3. Be sure not to handle record with dirty fingers. Never play a record that has a crack on the surface.
4. When removing the power plug from the wall outlet, always pull directly on the plug, never pull the cord.
5. To protect the stylus, don't forget to put on the white protective needle cover after use.
6. Do not attempt to clean the unit with chemical solvents as this might damage the finish. Use a clean, dry cloth.
7. In order to shut off the power to this product completely, unplug the power cord from the wall outlet. Be sure to unplug the unit if you do not intend to use it for an extended period of time, such as a vacation.
8. Keep this manual in a safe place for future reference.

Intended Use

This audio device is only intended for playing circuit boards. Any further use is considered improper. It is only suitable for use in dry interiors. The device is not intended for commercial use, but exclusively for use in private households. Any other use or modification of the device is not intended and is strictly prohibited. No liability can be assumed for damage caused by improper use or incorrect operation.

This device can be used by children from the age of 8 and by persons with reduced physical, sensory or mental capabilities or a lack of experience and knowledge if they are supervised or have been instructed in the safe use of the device and understand the resulting dangers. Children are not allowed to play with the device. Cleaning and user maintenance must not be carried out by children unless they are older than 8 years and supervised. Also keep the packaging film away from children. There is a risk of suffocation.

Children younger than 8 years are to be kept away from the device and the connection cable.

WEEE AND CE STATEMENTS

Declaration of Conformity



This device complies with the essential requirements and other relevant provisions of below

1. RED directive: 2014/53/EU
2. Low voltage directive: 2014/35/EU
3. ROHS directive: 2011/65/EU

You can download the complete EU conformity declaration from www.victrola.com/eudoc



The New Recast WEEE Directive (DIRECTIVE 2012/19/EU OF THE EUROPEAN PARLIAMENT AND OF THE COUNCIL of 4 July 2012 on waste electrical and electronic equipment (WEEE).

1. All electrical and electronic products should be disposed of separately from the municipal waste stream via designated collection facilities appointed by the government or the local authorities.
2. The correct disposal of your old appliance will help prevent potential negative consequences for the environment and human health.
3. For more detailed information about disposal of your old appliance, please contact your city office, waste disposal service.

Please note: As a result of continual improvements, the design and specifications of this product are subject to change without notice.

Bluetooth is a registered trademark of Bluetooth SIG, Inc. Other trademarks and trade names are those of their respective owners.

Qualcomm aptX is a product Qualcomm Technologies, Inc. and/or its subsidiaries. Qualcomm is a trademark of Qualcomm Incorporated, registered in the United States and other countries. aptX is a trademark of Qualcomm technologies International, Ltd., registered in the United States and other countries.

Made In China.

**UK
CA**

This product has been manufactured and sold under the responsibility of Innovative Technology Electronics LLC. Victrola is a trademark used under license by Innovative Technology Electronics LLC. – further information at victrola-brand.com. All other products, services, companies, trademarks, trade or product names and logos referenced herein are the property of their respective owners.

Innovative Technology Electronics, LLC
3350 Walnut Street
Denver, CO 80205

Imported by:

EU authorized representative
Possible-Music S.A.S.
40 Rue Du Louvre
75001 Paris, France

CMS Distribution Ltd,
EC2A 2DT
Registered in England No. 2214562

Italia
NITAL S.p.A
Via vittime di piazza fontana 54
10024 Moncalieri (Torino) Italy

www.victrola.com/importer