

VICTROLA™

Record Storage Case

Model: VSC-20



Instruction Manual

PLEASE READ THIS INSTRUCTION MANUAL CAREFULLY BEFORE USE
AND KEEP IT FOR FUTURE REFERENCE.

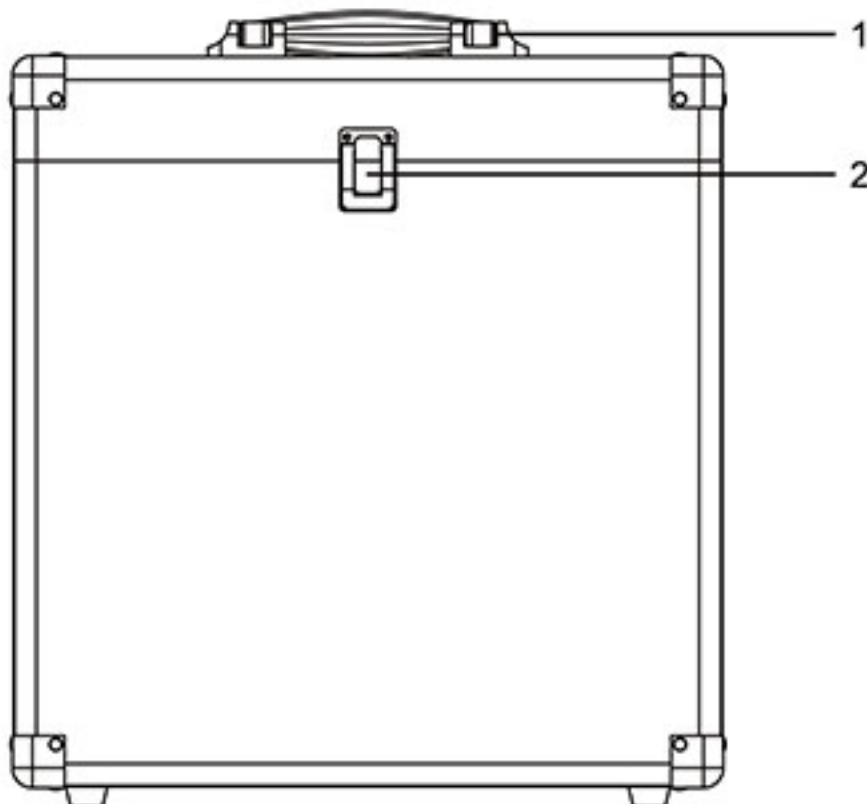
CONTENTS

SAFETY INSTRUCTIONS	2
RECORD STORAGE LAYOUT	2
RECORD STORAGE OPERATION	2

SAFETY INSTRUCTIONS

1. Read these instructions – All the safety and operating instructions should be read before this product is operated.
2. Keep these instructions – The safety and operating instructions should be retained for future reference.
3. Do not use this apparatus near water – The appliance should not be used near water or moisture – for example, in a wet basement, near a swimming pool, or near other wet areas.
4. Clean only with a dry cloth.
5. Only use attachments/accessories specified by the manufacturer.
6. Please keep the unit in a well ventilated environment.
7. Only use attachments/accessories specified or provided by the manufacturer.
8. This product is not intended for commercial use. Household Use Only.

RECORD STORAGE LAYOUT



1. HANDLE
2. BUCKLE

RECORD STORAGE OPERATION

BASIC OPERATION

1. Lift the BUCKLE on the front of the turntable and open the lid.
2. Put the Vinyl Record into the Storage Case.
3. Holds about 30 Vinyl Records (depending on the thickness of Vinyl Record Sleeves).

NOTE:

- Storage Case can hold up to 13 lbs (6 kgs).
- Vinyl Records and Vinyl Record Sleeves are NOT included - Storage Case ONLY.



You can download the complete EU conformity declaration from www.victrola.com/eudoc

Imported by:

Exertis Supply Chain Services Ltd.

M50 Business Park, Ballymount Rd. Upper, Dublin 12, D12 T4C2, Ireland

Design and specification are subject to change without notice.

This product is manufactured and sold by Innovative Technology Electronics LLC. Victrola and the Victrola logo are trademarks of Technicolor or its affiliates and are used under license by Innovative Technology Electronics LLC. Any other product, service, company, trade or product name and logo referenced herein are neither endorsed nor sponsored by Technicolor or its affiliate.

Made in China.